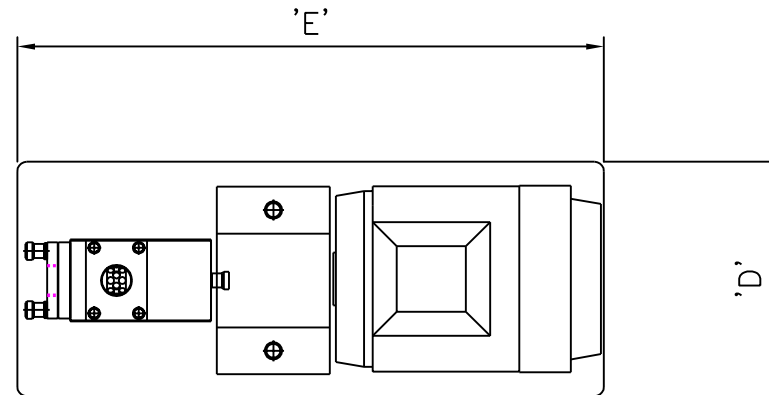
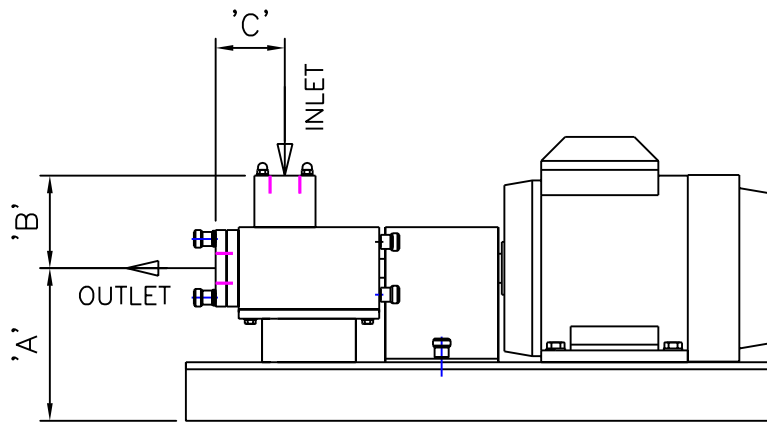
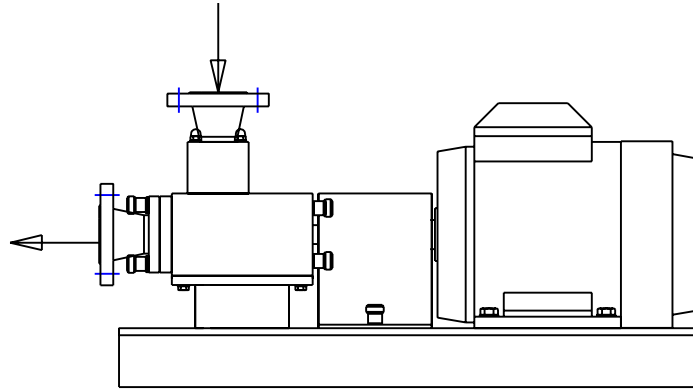


ANSI 150 lb FLANGED PORT OPTION
(BS4504/DIN/BS4825/RJT ON REQUEST)



MIXER DIMENSIONS - INTEGRIMIX ICV INLINE MIXERS

Model Number	Standard Drive Power	Centre Height	Port Centres	Port Position	Overall Width	Overall Length	Port Sizes	Weight
	kw	A mm	B mm	C mm	D mm	E mm	Nominal	kg
ICV40	1.1	130	80	60	220	500	3/4"	26
ICV60	5.5	200	120	90	350	850	1"	65
ICV100	22	300	190	140	430	1250	1.1/2"	180

Owner

Maelstrom APT Ltd.
England

This drawing is the property of Maelstrom APT Ltd.
Copyright (c) 2008 Maelstrom APT Ltd
All rights reserved

All dimensions in millimetres unless otherwise stated.
Threads to BS 3643 ... medium fit.

ALL DATA ARE NOMINAL AND PROVISIONAL,
AND ARE SUBJECT TO CHANGE WITHOUT NOTICE.
THEY MAY THEREFORE NOT BE RELIED UPON.

Title/Name

STANDARD MACHINE OUTLINE DIMENSIONS - ICV40 to ICV100

Date

11.5.06

Scale

CAD

Designed by

MAELSTROM

Drawing number

ICV OUTLINE DIMENSIONS

Version

1

Sheet

1