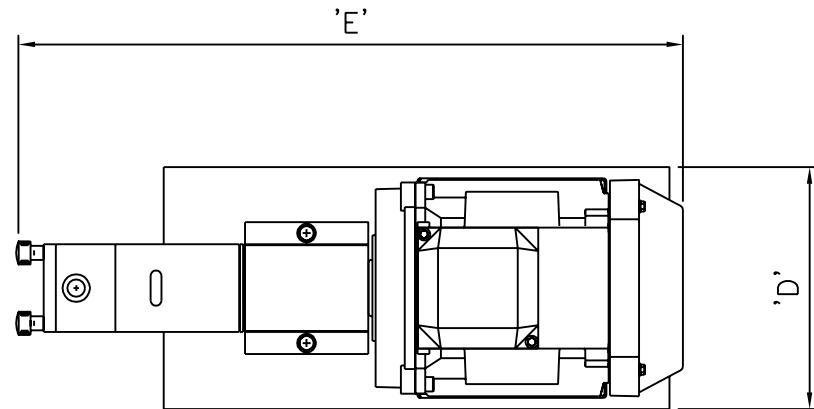
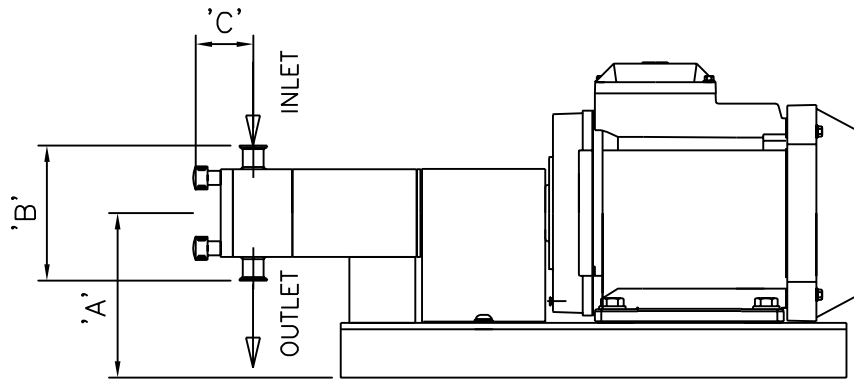
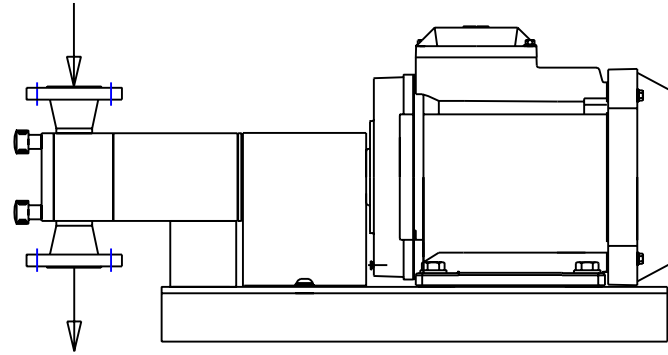


ANSI 150 lb FLANGED PORT OPTION
(BS4504/DIN/BS4825/RJT ON REQUEST)



MIXER DIMENSIONS - INTEGRIMIX ICG INLINE MIXERS

Model Number	Standard Drive Power	Centre Height	Port Centres	Port Position	Overall Width	Overall Length	Port Sizes	Weight
	kw	A mm	B mm	C mm	D mm	E mm	Nominal	kg
ICG40	2.2	150	125	52	220	600	3/4"	40
ICG60	5.5	200	185	85	350	950	1"	65
ICG100	22	320	290	130	430	1250	1.1/4"	180