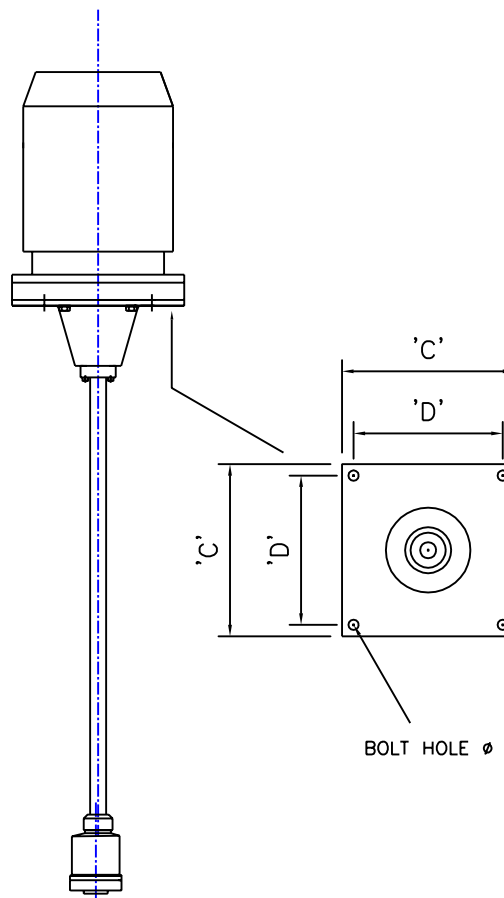
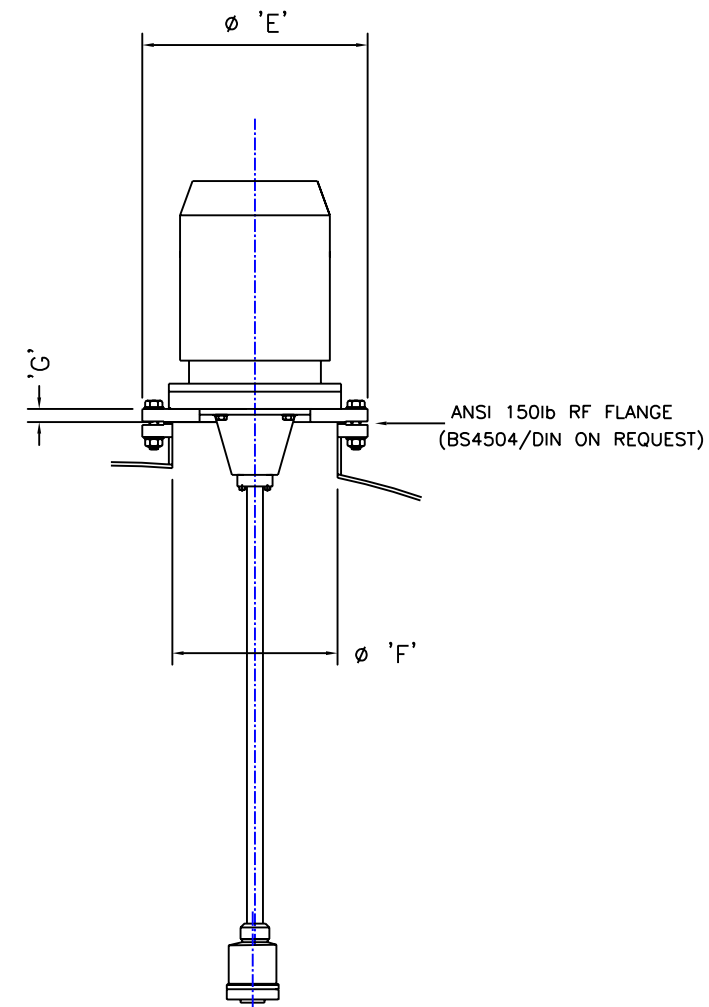


INTEGRIMIX IBV - CRANE SUPPORT FOR OPEN VESSELS



INTEGRIMIX IBV - BRIDGE SUPPORT PLATE FOR OPEN VESSELS



INTEGRIMIX IBV - CLOSED VESSEL MOUNTING

| MOUNTING DIMENSIONS - INTEGRIMIX BATCH PRODUCTION MIXERS | | | | | | | | |
|--|---------------|------|----------------------|------|-------------|------------------------|------|------|
| Model Number | CRANE SUPPORT | | BRIDGE SUPPORT PLATE | | | CLOSED VESSEL MOUNTING | | |
| | A mm | B mm | C mm | D mm | BOLT HOLE Ø | E mm | F mm | G mm |
| IBV60 | 1770 | 400 | 300 | 260 | Ø12 | 406 | 254 | 15 |
| IBV100 | 2320 | 500 | 400 | 350 | Ø14 | 483 | 305 | 20 |

Owner

Maelstrom APT Ltd.
England

This drawing is the property of Maelstrom APT Ltd.
Copyright (c) 2008 Maelstrom APT Ltd
All rights reserved

All dimensions in millimetres unless otherwise stated.
Threads to BS 3643 ... medium fit.

ALL DATA ARE NOMINAL AND PROVISIONAL, AND ARE SUBJECT TO CHANGE WITHOUT NOTICE. THEY MAY THEREFORE NOT BE RELIED UPON.

Title/Name

MOUNTING OPTIONS - IBV60 & IBV100

Date

Scale

CAD

Designed by

MAELSTROM

Drawing number

IBV OUTLINE DIMENSIONS

Version

1

Sheet

1