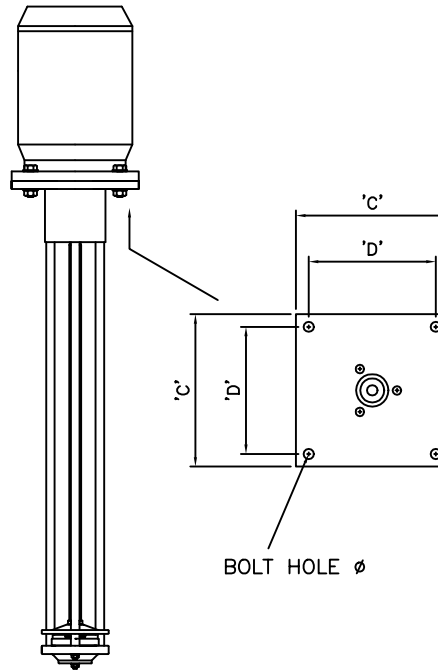
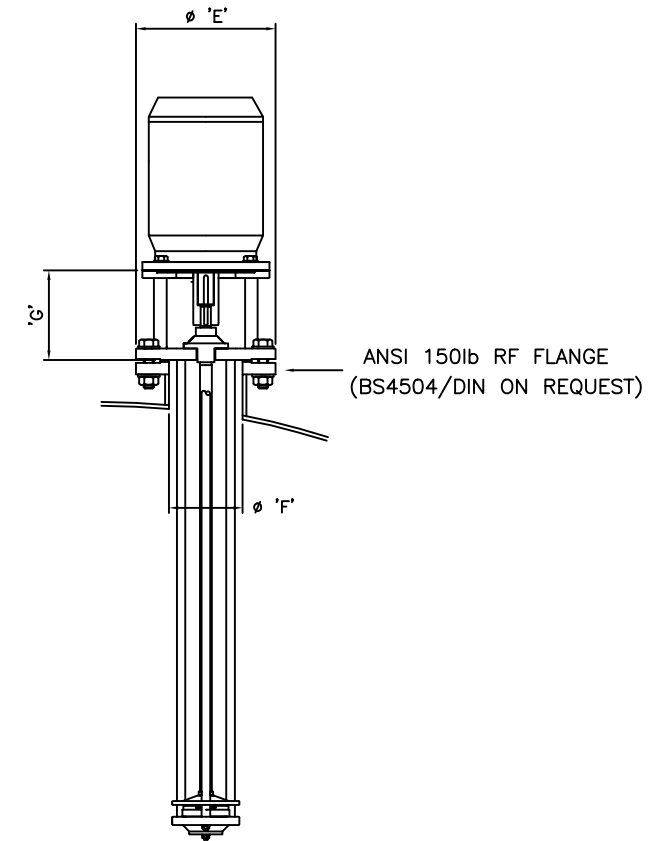


DISTROMIX DB – CRANE SUPPORT
FOR OPEN VESSELS



DISTROMIX DB – BRIDGE SUPPORT PLATE
FOR OPEN VESSELS



DISTROMIX DB – PEDESTAL MOUNTING
FOR CLOSED VESSELS

MOUNTING DIMENSIONS – DISTROMIX BATCH PILOT/PRODUCTION MIXERS								
Model Number	CRANE SUPPORT		BRIDGE SUPPORT PLATE			PEDESTAL MOUNTING		
	A mm	B mm	C mm	D mm	BOLT HOLE ϕ	E mm	F mm	G mm
DB75	1180	300	220	180	$\phi 12$	254	128	200
DB100	1550	420	320	280	$\phi 14$	279	152	220
DB125	1950	480	380	340	$\phi 14$	343	202	240
DB150	2325	480	380	340	$\phi 18$	406	254	260
DB175			450	400	$\phi 18$	482	305	300
DB200			500	450	$\phi 22$	533	336	350

Owner

Maelstrom APT Ltd.
England

This drawing is the property
of Maelstrom APT Ltd.
Copyright (c) 2008 Maelstrom APT Ltd
All rights reserved

All dimensions in millimetres unless
otherwise stated.
Threads to BS 3643 ... medium fit.

ALL DATA ARE NOMINAL AND PROVISIONAL,
AND ARE SUBJECT TO CHANGE WITHOUT NOTICE.
THEY MAY THEREFORE NOT BE RELIED UPON.

Title/Name

MOUNTING OPTIONS – DB75 TO DB200

Date

Scale

CAD

Designed by

MAELSTROM

Drawing number

DB OUTLINE DIMENSIONS

Version

1

Sheet

1